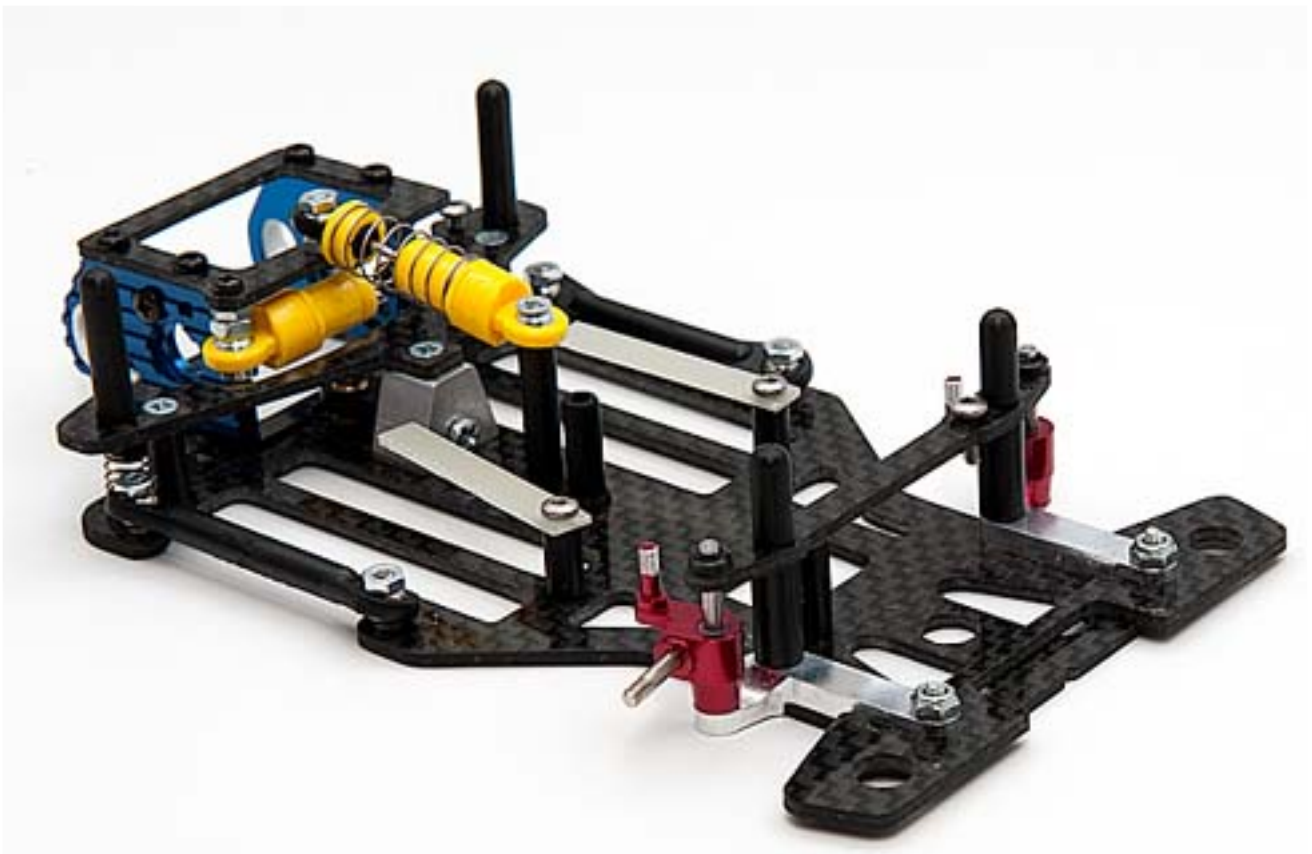


LAJF RACING PROUDLY PRESENTS

Lajf P28

Instruction Manual



P28 chassie

This is the parts needed to compete each step column. on this page you can use it for notes

NOTES

Tools needed:

- 1 small phillips screwdriver
- 1 1,5mm allen wrench
- 1 small plier
- 1 small file.
- CA glue
- 1 1mm drill bit
- 1 fine grit sandpaper
- 1 4,5mm hex
- 1 4mm hex
- 1 dremel machine
- 1 callipers
- 1 hobby knife

Thanks for choosing the P28 as your racer. You now have a high performance racing car in your possession and you will be able to enjoy racing as never before.

This instruction will guide you in assembling the P28 from all its parts into a complete and winning race car. To get the race car running and winning you need to get the following items to complete it.

- Mr02 differential**
- Mr02 front springs**
- Mr02 front spring travel limiters**
- Mini-z wheels**
- Mini-z motor**
- body har plastic or polycarbonate**
- Micro servo, preferably a digital one**
- Micro servo saver**
- Electronic Speed Control ESC**
- Micro receiver**

The instruction is divided into a left and a right column with the asembly beeing done in the right column.

the left column has the contents of what is needed to complete each step of the instruction.

It is recommended to look through the entire intruction before starting the build.

** For recommendations see the "Recommendations" document. Available at our Lajf.se site.

** For mounting instructions for servo, ESC and receiver look in the corresponding instruction at Lajf.se.

Should you run into problems or have a question, help is available at help@lajf.se, we will try to answer your email as quickly as possible, we also have a forum for you at lajf.se/forum.

NOTE!

Take care NOT to overtighten the screws as that will destroy the plastic.

Good luck and see you at the races!

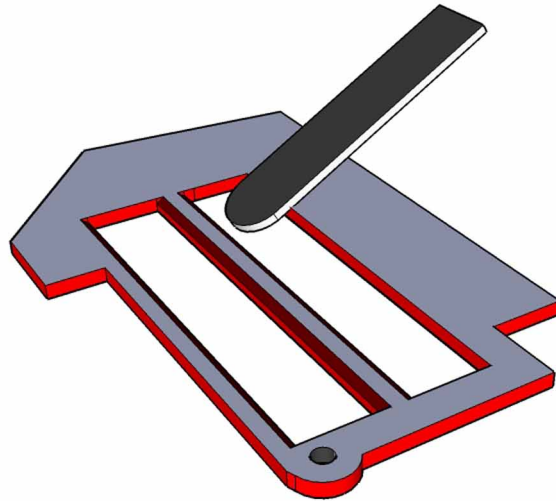
P28 chassie

To prevent carbon parts from damage, apply instant cement(CA) to the edges of the carbon parts.

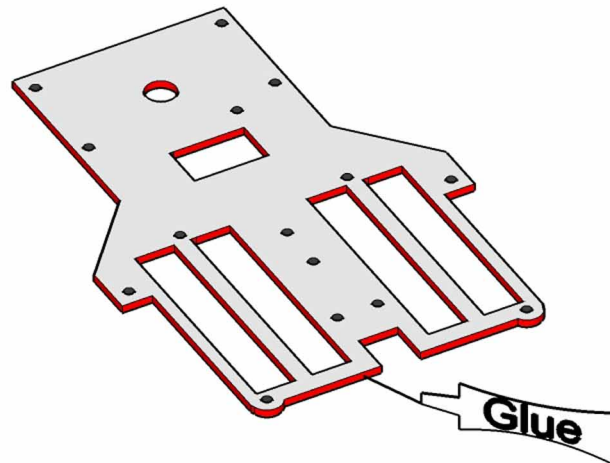
To finish the carbon parts file the edges before applying the CA glue to them.

File the edges using a nail file or similar tool. Do not remove alot of material, lightly sanding of the edges is what is needed.

Filing the battey openings is best done with a small metal file.



File the edges of the battery openings to protect the batteries. Do not remove too much as the battery might stick out from under the chassies.

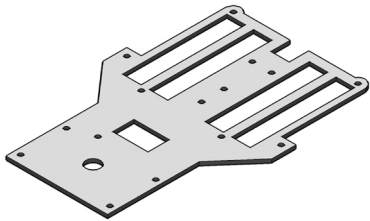


Apply CA glue to all the edges of all carbon parts, here the main chassie is shown.

This is where the actual assembly begins. Please look through the entire instruction before beginning the assembly.

Parts needed to complete the steps are listed to the left on the page.

Help is available at help@lajf.se



300001 P28 main chassie



100110 left lower arm



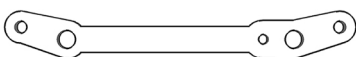
100120 right lower arm



100140 x2 front end post



600140 x2 M2X8 screw



100100 front end top brace



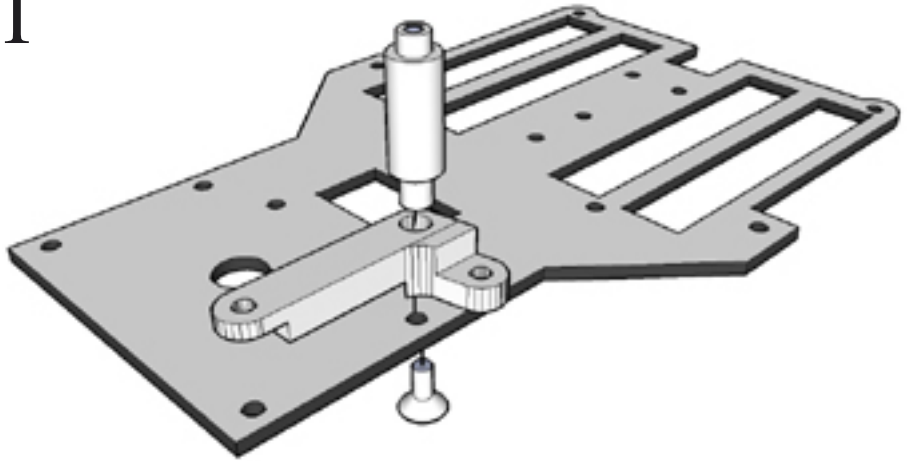
300311 x2 front body post



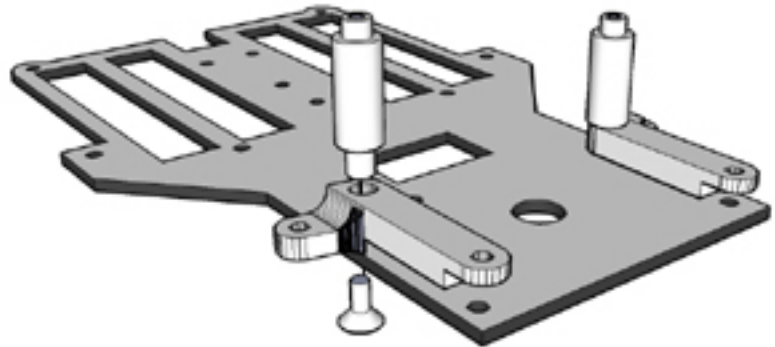
600110 M2X4 screw

BAG A 1-5

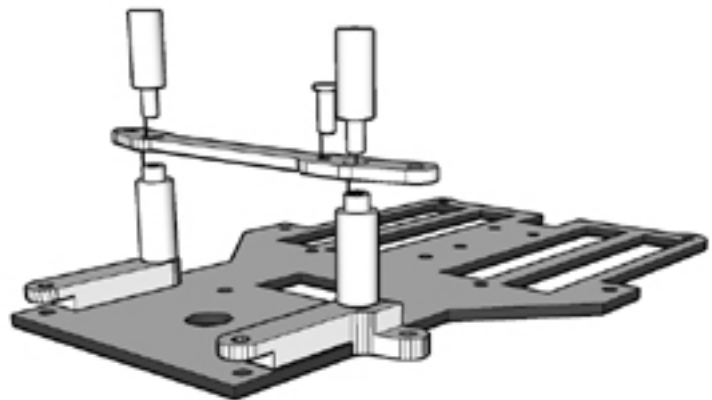
1



2



3



4



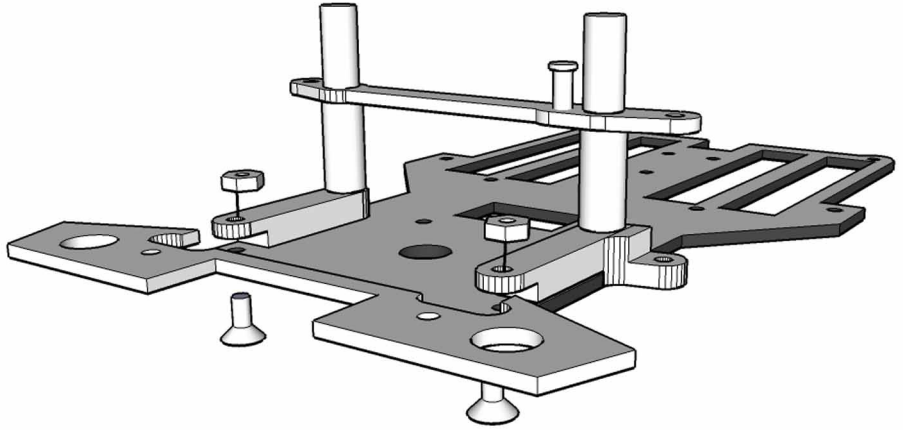
300050 bumper plastic body



600550 x2 M2 lock nut



600140 x2 M2X8 screw



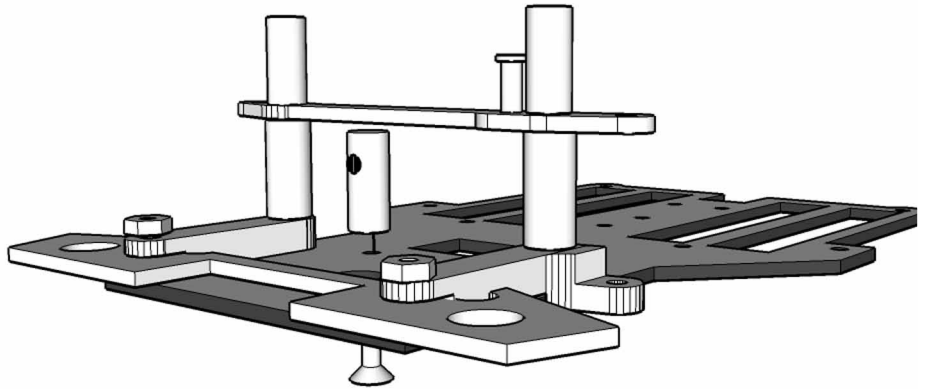
5



300140 servo post



600100 M2X4 screw



BAG B 6-10



150401 x4 4mm ball



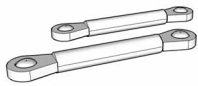
150402 x2 side link



600140 x4 M2X8 screw



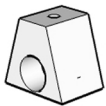
600500 x4 M2 nut



2 side links
assembled in point 6



300040 rear chassie

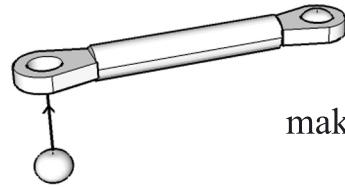


150501 ball link mount



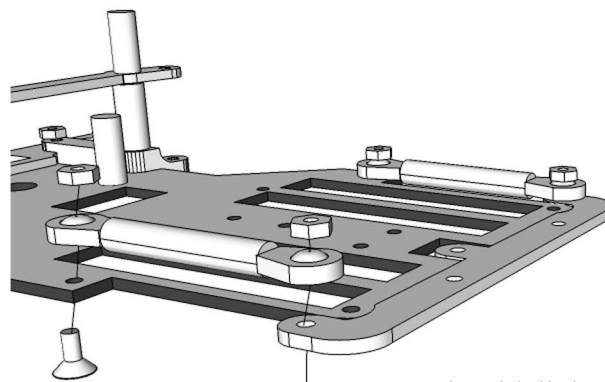
600100 x2 M2X4 screw

6



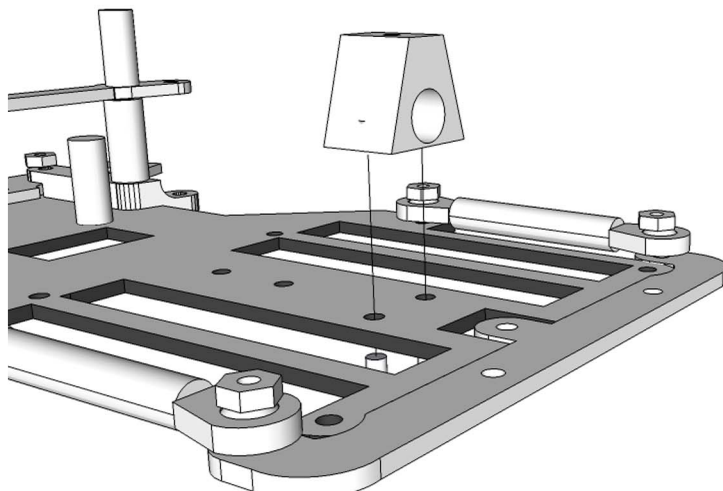
make 2

7



Mount the sidelinks with the necks of the balls downwards

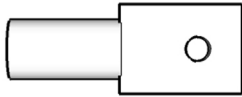
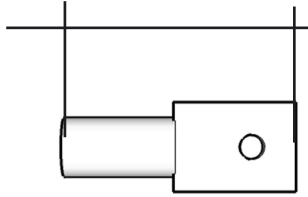
8



P28 chassie

9

cut to 19 mm



150502 centre ball link



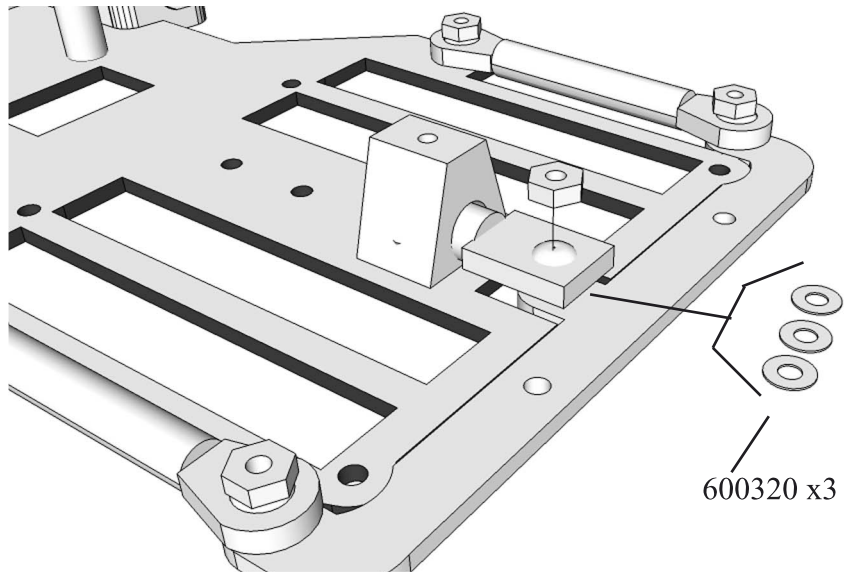
600500 M2 nut



600320 x3 M2 .2mm shim



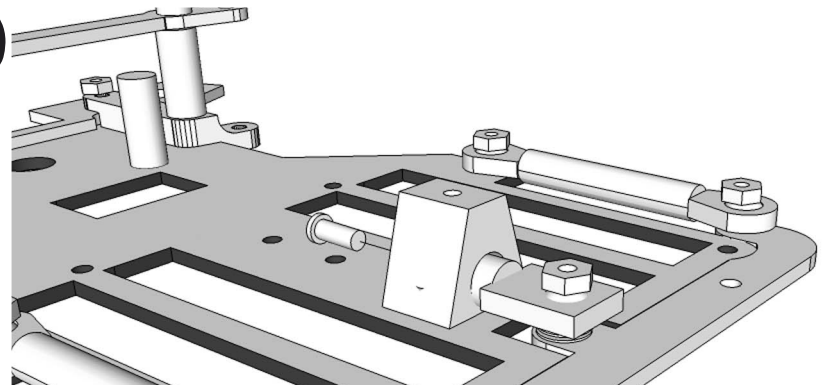
600140 M2X8 screw



10



600130 M2X6 screw



NOTE!

Do not overtighten the screw.

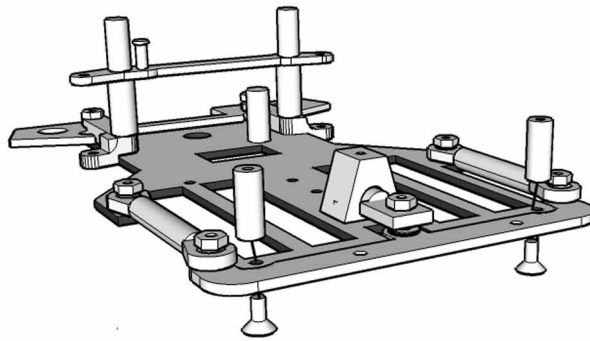
Pull the centre ball into the ball link mount with the screw and stop when it is positioned so that the rear end can be rotated with no binding.

The rear end should move freely back and forth and up and down. It is very important that the rear can move without any binding or snapping it should move easily and effortless in all directions.

Spend time here and do it right as this will make your P28 perform well if done properly.

BAG C 11-16

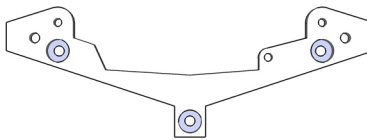
11



300090 x2 rear chassie post



600100 x2 M2X4 screw

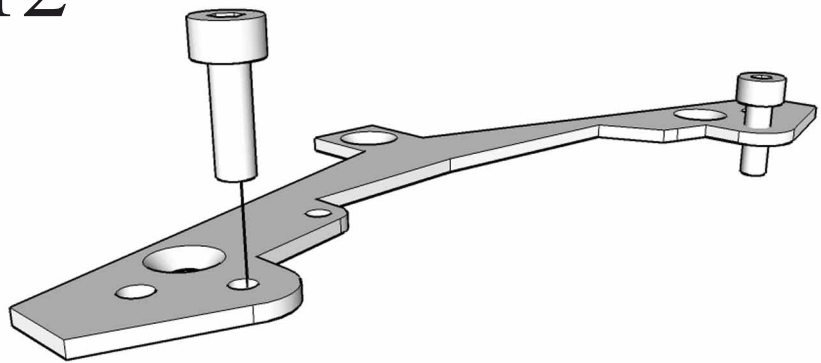


300100 rear top brace

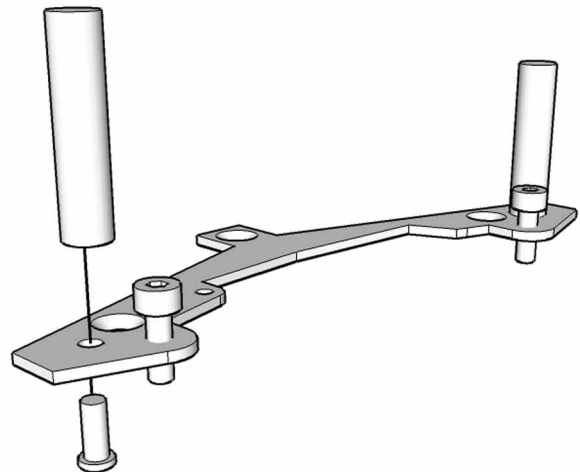


600145 x2 M2X6 allen screw

12



13



300312 x2 rear body post



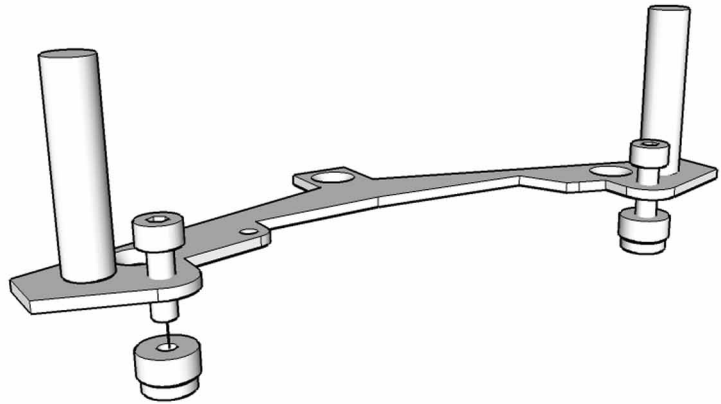
600130 x2 M2X6 button head screw

P28 chassie



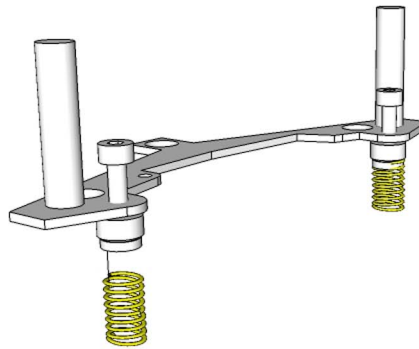
300111 x2 side spring holder

14



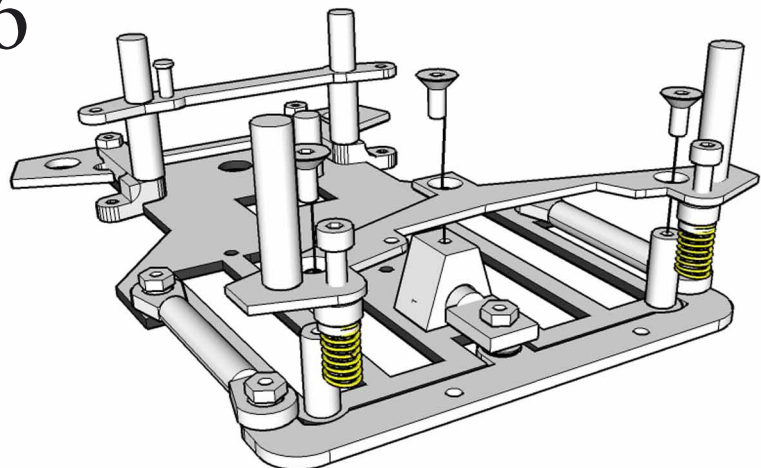
300110 x2 side spring

15

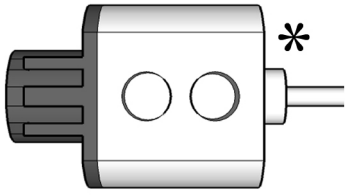


600100 x3 M2X4 screw

16



BAG D 17-24



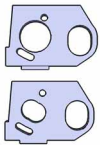
Motor, 130 can,
NOT INCLUDED
in the kit. For recommended
motors see
"Recommendations"
document available at
Lajf.se



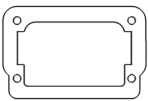
600130 x2 M2X6 screw



600320 M2 .2mm shim



150221 and 150222
motor pod sides

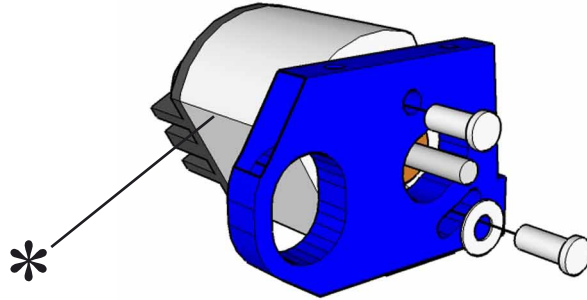


150223 motor pod bottom



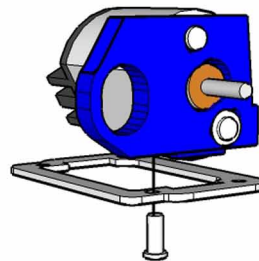
600110 x2 M2X4 screw
(black)

17

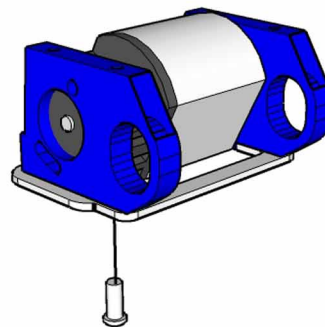


* NOT INCLUDED

18



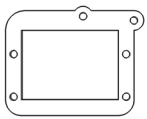
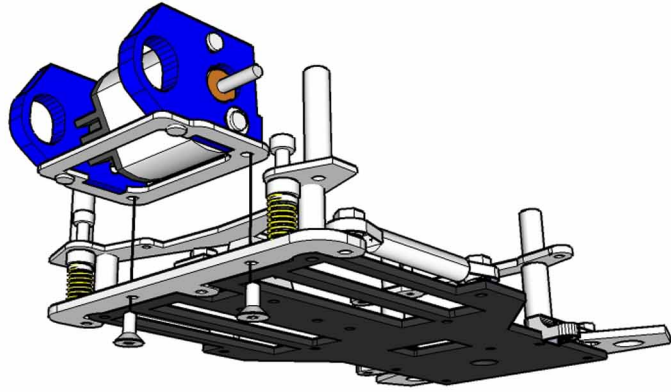
19



20



600120 x2 M2X6 screw



150200 motor pod top

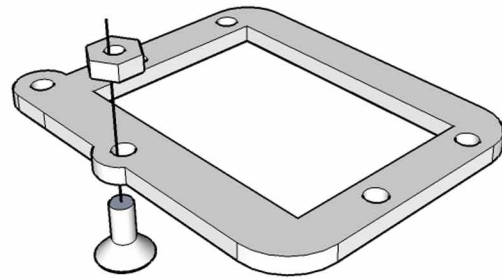


600500 M2 nut

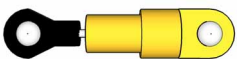


600140 M2X8 screw

21



22



150340 side damper



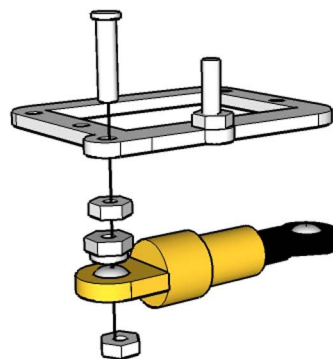
600190 M2X12 screw



600550 M2 lock nut



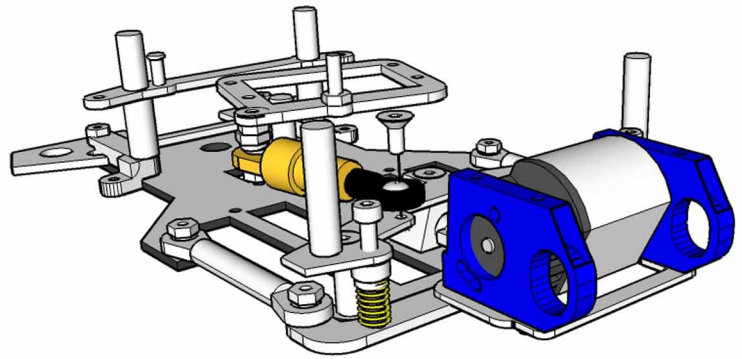
600500 x2 M2 nut



23



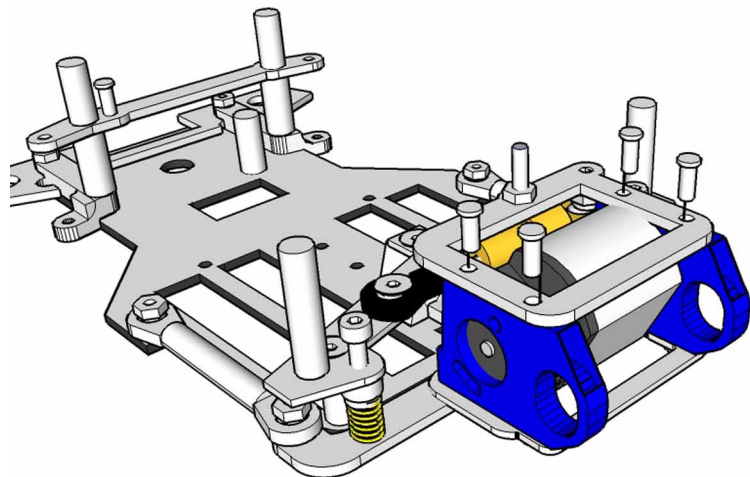
600120 M2X6 screw



24



600110 x4 M2X4 screw
(black)



BAG E 25-28

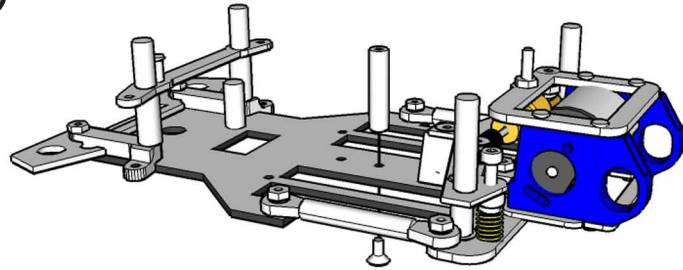
25



300130 damper post



600100 M2X4 screw



26



300120 roll over post

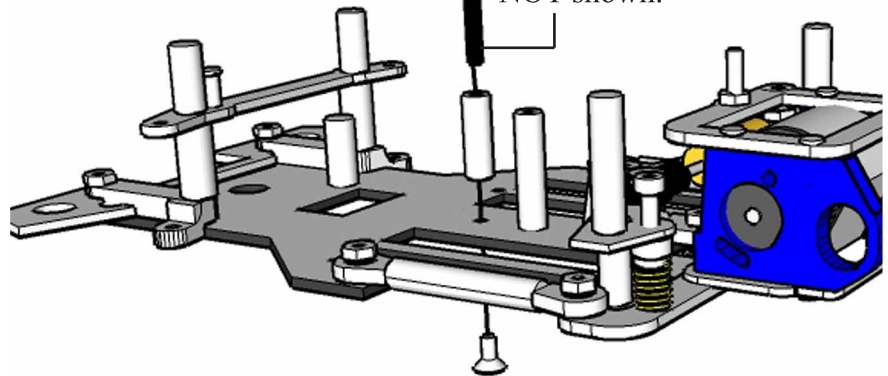


600100 M2X4 screw

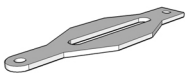


300350 roll over mast

The Roll-Over Mast is mounted here in its correct position. In the following pictures it is NOT shown.



27



300070 x2 battery clip



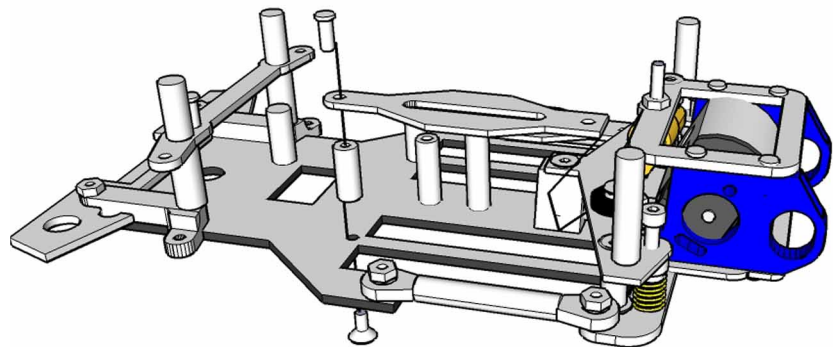
300080 x2 battery post



600125 x2 M2X4 screw



600100 x2 M2X4 screw



28



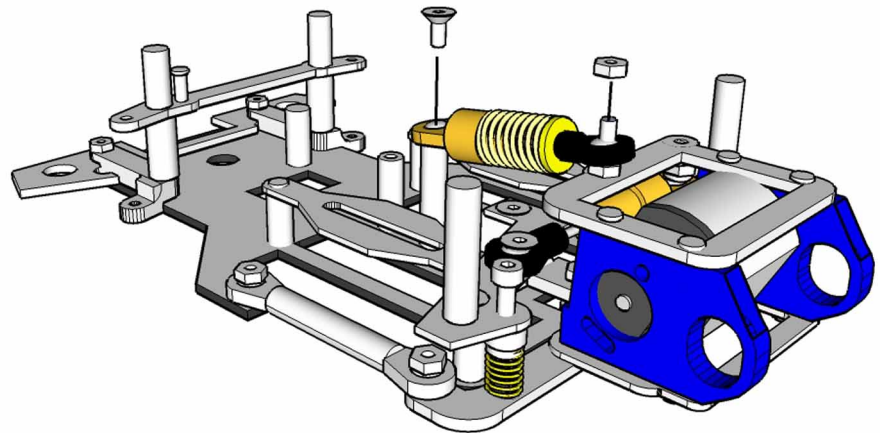
600140 M2X8 screw



600500 M2 nut



150300 main damper



BAG F 29

29



100200 knuckles 1 pair.



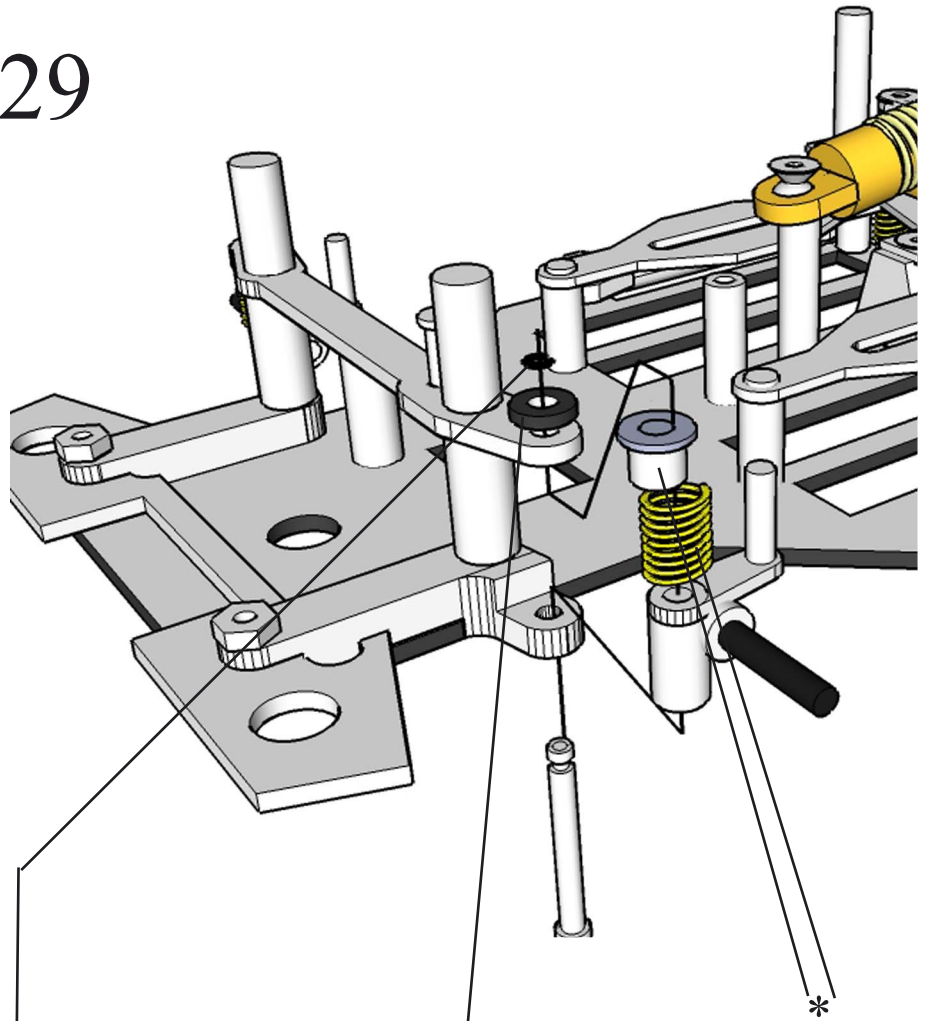
100230 kingpin 1 pair



600400 x2 C-Clip



100240 x2 kingpin shim



C-clip snaps into the slot at the top of the king-pin

* springs and suspension limiters are not included.

Kingpin shim goes under the c-clip.



x2 front end spring












x2 suspension limiter

For recommendations on springs and limiters see Recommendations document available at Lajf.se

P28 chassie

Parts list

article nr:	Description
Front end	
100200	knuckles
100230	kingpins
100240	kingpin shim
100100	Top front end brace
100110	Left lower arm
100120	Right lower arm
100140	front end post
100300	steering linkage
100310	steering linkage center mount
Rear end	
150501	ball link mount
150502	ball link
150401	4mm ball
150402	side link
150200	motor pod top
150221	left motor pod side
150222	right motor pod side
150223	motor pod bottom
150224	ball bearing holder
150300	damper
150340	side damper
Chassie	
300140	servo post
300120	roll over post
300130	damper post
300100	rear top brace
300110	side springs
300111	spring holder
300080	battery post
300070	battery clip
300050	bumper
300090	rear chassie post
300311	front body post, Pan car body
300312	rear body post, Pan car body
300350	Roll-Over Mast
300001	main chassie
300040	rear chassie

article nr:	Description	
Screws		
600100	M2 4mm screw FH	
600120	M2 6mm screw FH	
600140	M2 8mm screw FH	
600125	M2 4mm allen screw	
600145	M2 6mm allen screw	
600110	M2 4mm screw	
600130	M2 6mm screw	
600150	M2 8mm screw	
600190	M2 12mm screw	
600320	M2 .2mm shim	
600400	C-clips	
600500	M2 nut	
600550	M2 lock nut	

Spare parts list

Spare parts

100200 knuckles 1 pair 0 degree
100230 kingpin 1 pair
100240 kingpin shim 1 pair
100300 steering linkage
100310 steering linkage center mount
100130 front lower arms 1 pair
100140 front end post 1 pair

150220 motorpod
150300 Main damper
150340 side damper
150401 Side links ball 4pcs
150402 side lnks 1 pair
150501 ball link mount
150502 centre ball link

300070 battery clip 1 pair
300080 battery posts 1 pair
300090 rear chassie post 1 pair
300111 tweek spring holder 1 pair
300110 tweekspring 1 pair
300120 Roll over post
300130 front main damper post
300140 servo post
300311 front body posts 1 pair
300312 rear body posts 1 pair

400100 screw kit
600401 C-clip 5 pack

Carbon spare parts

300001 main chassie
300040 rear chassie
300100 rear top brace
150200 motor pod top
300050 bumper plastic body
100100 front end top brace
300350 roll over mast

NOTES